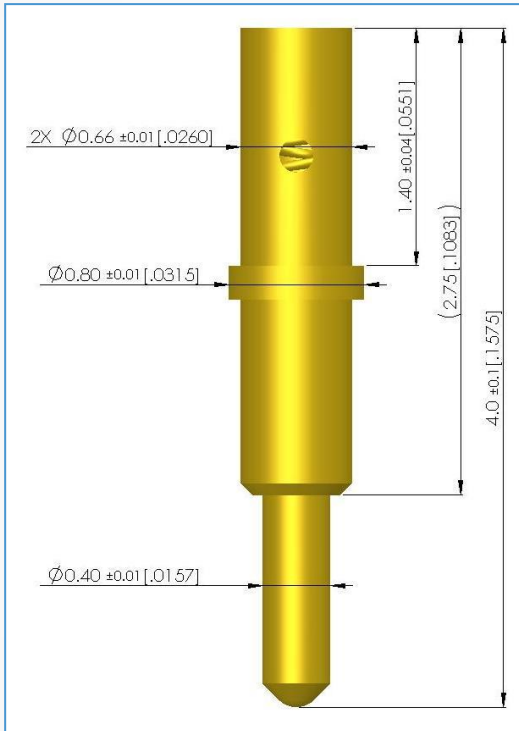




PAN PACIFIC PINS

SPECIFICATIONS

PART NO. PPP-V0040-SB080-0



MECHANICAL

Device Pitch	min 0.9mm
Recommended Travel	0.75mm
Spring Force	30gf @ 0.75mm
Test Temperature	-40 to 125°C

ELECTRICAL

Current Rating (Continuous)	1.5A
Typical Resistance	<75m Ω
Bandwidth @ -1dB (GSG)	18.3GHz
Self Inductance	0.7nH

MATERIAL

Plunger B	BeCu (Au Plated)
Barrel	BeCu (Au Plated)
Spring	Music Wire (Au Plated)

Actual test environment can affect the mechanical and electrical specifications